

GFLUGO



FA Series

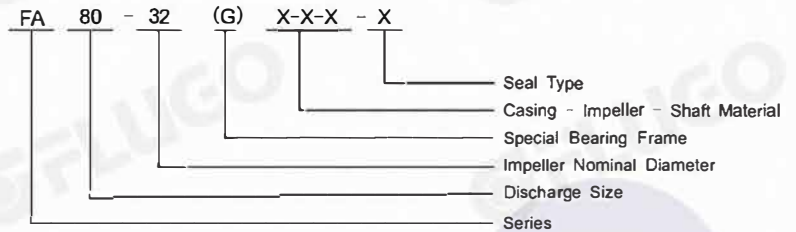
Centrifugal Pump



Description & Features

FLUGO FA series end suction centrifugal pumps are designed complying to BS EN733 / DIN24255 standard. This series of pumps have great advantages in interchangeable parts, high quality and low cost, wide applications in mining, petroleum, oil & gas, chemical industries.

Model Instruction



Material Code

- C: Cast Iron
- Q: Ductile Iron
- B: Bronze
- S: ASTM 420
- 45: ASTM 1045
- S304: ASTM 304
- S316: ASTM 316

- Bearing Frame Code
 - H: Bearing frame for double-row bearing
 - G: Bigger shaft and bearing frame
 - Default: Standard
- Seal Type
 - M: Mechanical Seal
 - P: Gland Packing

Design & Structure

Design	Performance and dimensions referring to the European standard BS EN733 / DIN24255
Structure	Horizontal, Axial End-Suction, Single-Stage, Single-Suction, Volute Casing, Back pull-out
DN (mm)	32 - 300
Flange	ISO7005.2 DIN2501 PN16 GB / T17241.6 PN1.6

Material

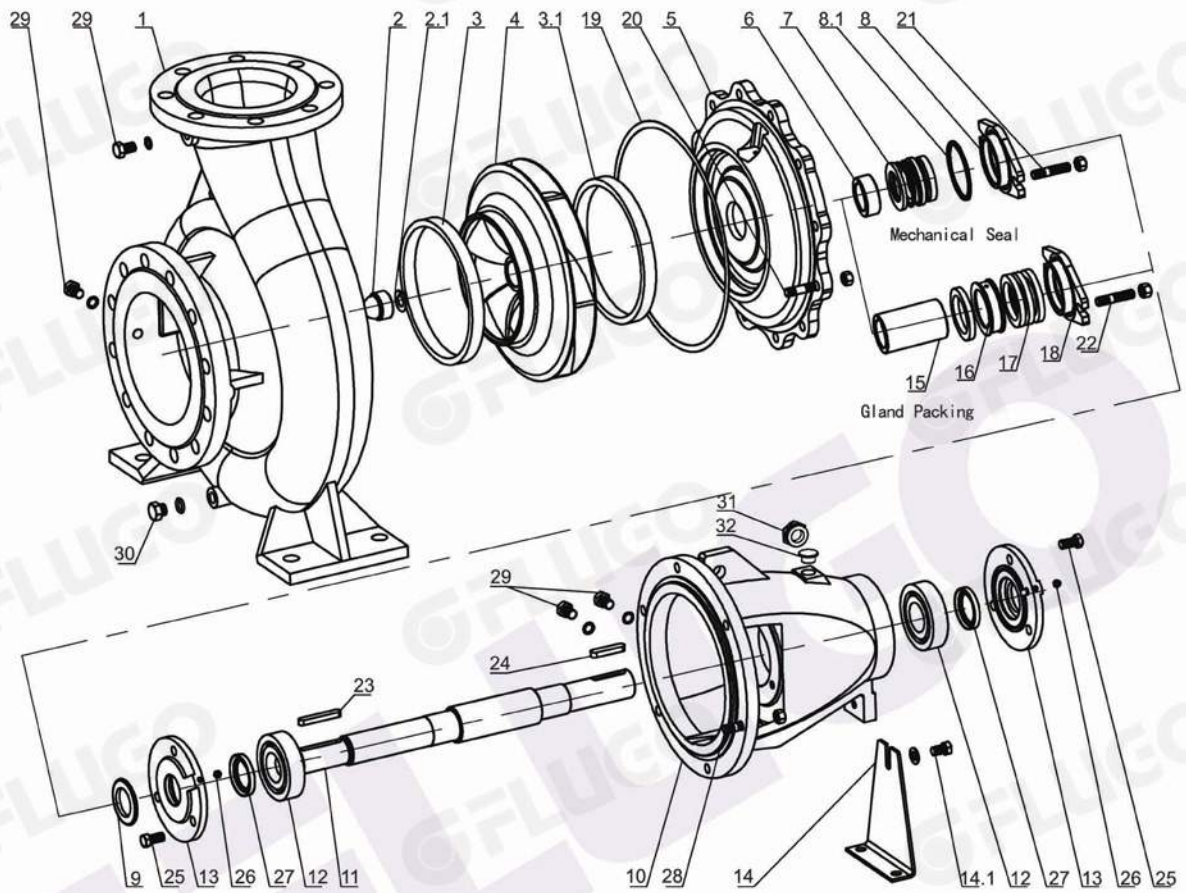
Part	Standard Material	Options on request
Casing	Cast Iron	Ductile Iron / ASTM304 / ASTM316
Impeller	Bronze	Cast Iron / ASTM304 / ASTM316
Shaft	ASTM420	ASTM304 / ASTM316 / ASTM1045
Shaft Seal	Mechanical Seal	Gland Packing

Applications

- methanol injection
- glycol pumping
- chemical processing
- gas sweetening
- oil transfer

Operating Data

Flow Rate(Q)	0.5-440 l/s
Head(H)	2-152 m
Speed	1450 or 2900 rpm (50Hz) / 1750 or 3500 rpm (60Hz)
Max Temperatur^o	105°C
Working Pressure	1.0 MPa standard; 1.6 MPa on request
Conveying Medium	Oil, high density liquid

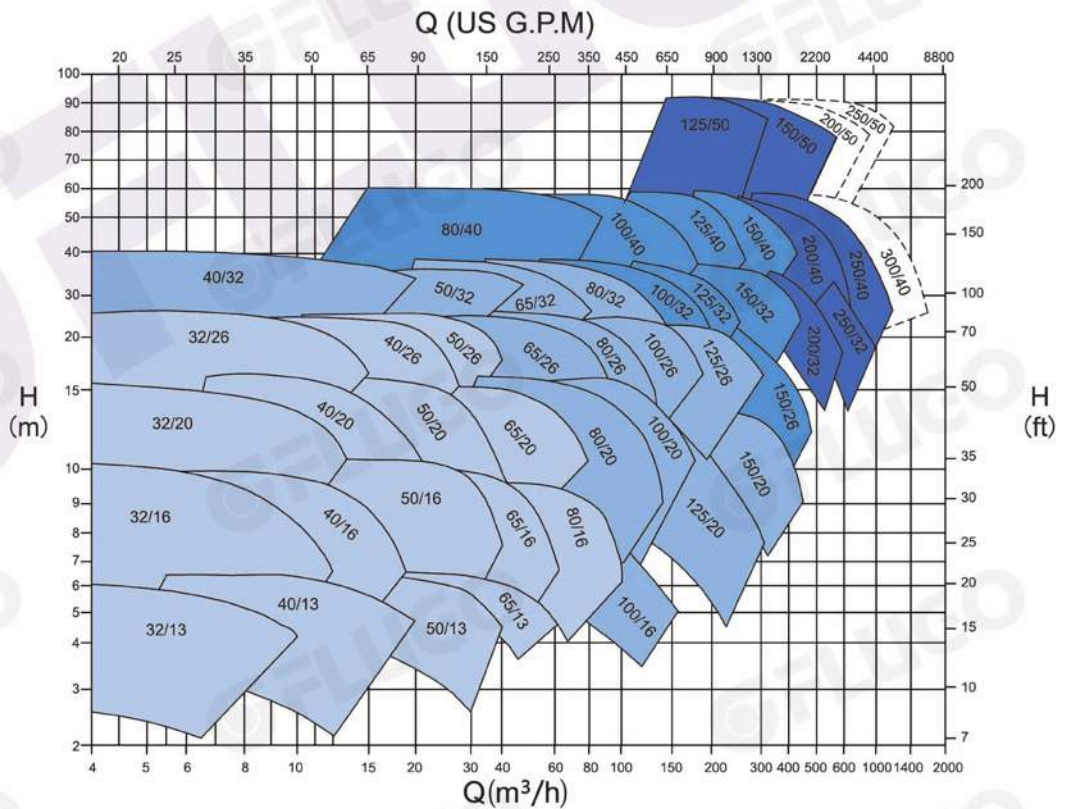
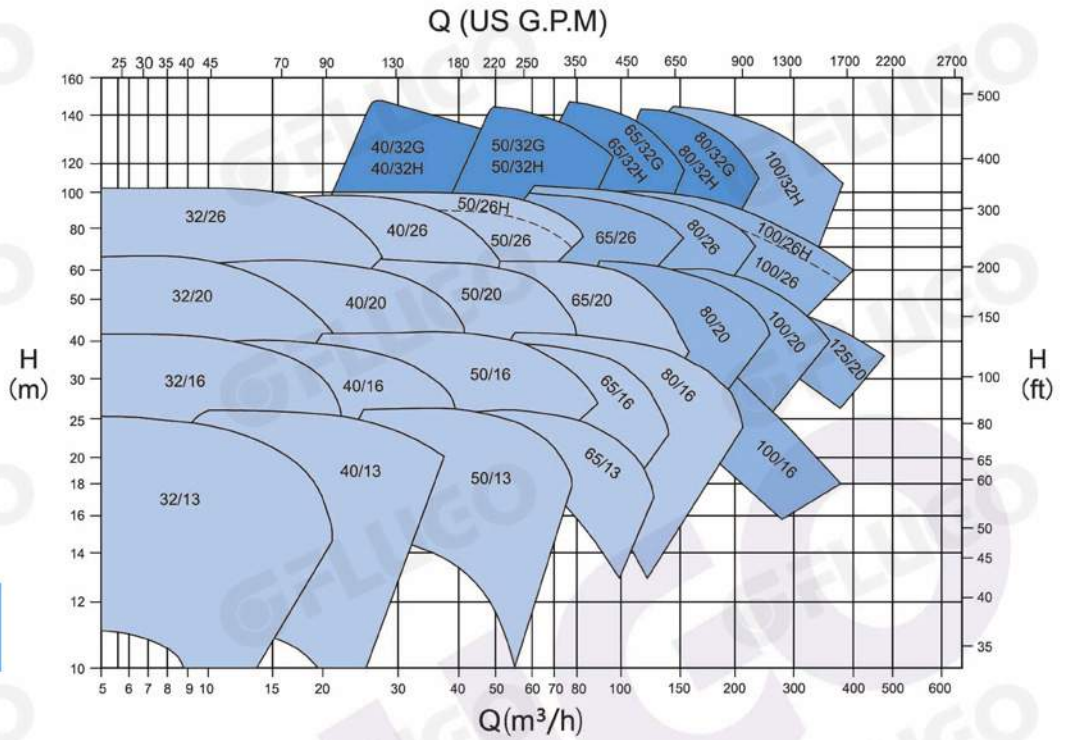


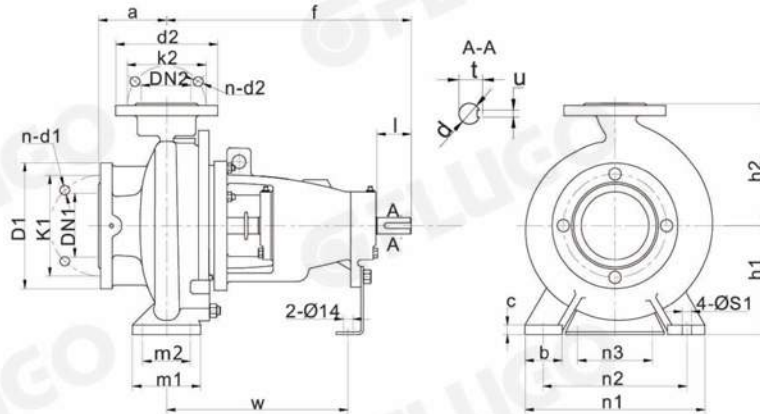
Code	Part Name
1	Casing
2	Impeller Nut
2.1	Lock Washer
3	Wear Ring (Front)
3.1	Wear Ring (Back)
4	Impeller
5	Casing Cover
6	Shaft Spacer
7	Mech.Seal
8	Seal Cover
8.1	O-ring
9	Rubber Slinger
10	Bearing Frame

Code	Part Name
11	Shaft
12	Bearing
13	Bearing Cover
14	Support Foot
14.1	Bolt & Nut
15	Packing Sleeve
16	Packing Seal Cage
17	Locating Sleeve
18	Gland Packing
19	Casing Gasket
20	Stud & Nut
21	Stud & Nut

Code	Part Name
22	Stud & Nut
23	Key
24	Key
25	Screw Bolt
26	Oil Nipple
27	Felting
27	Oil Seal
28	Stud & Nut
29	Plug & Washer
30	Plug & Washer
31	Oil Scale
32	Oil Cover

Field Chart FA Series (50 Hz)





FA Installation Dimensions

NO	Model	Bearing		DN1	DN2	a	f	h1	h2	b	c	n3	m1	m2	n1	n2	S1	w	d	l	t	u
		Inside	Dimension																			
1	FA32/13	25	32	50	80	360	112	140	50	100	100	70	240	190	140	267	24	50	27	8		
2	FA32/16						132	160														
3	FA32/20						160	180														
4	FA32/26	35	40	65	100	470	180	225	65	110	125	95	320	250	342	32	80	35	10			
5	FA40/13						112	140														
6	FA40/16						132	160														
7	FA40/20	45	50	80	100	526	160	180	14	110	100	70	240	190	367	42	110	45	12			
8	FA40/26						180	225														
9	FA40/32						200	250														
10	FA40/32H	25	65	100	360	470	200	250	65	100	125	95	345	280	342	32	80	35	10			
11	FA40/32G						200	250														
12	FA50/13						526	200														
13	FA50/16	35	80	100	360	470	132	160	18	110	100	70	265	212	367	42	110	45	12			
14	FA50/20						160	180														
15	FA50/26						160	200														
16	FA50/26G	45	65	80	100	465	180	225	14	110	125	95	320	250	344	32	80	35	10			
17	FA50/32						200	250														
18	FA50/32H						225	280														
19	FA50/32G	25	100	125	470	526	280	280	15	160	120	400	315	18	367	42	110	45	12			
20	FA65/13						160	180														
21	FA65/16						360	200														
22	FA65/20	35	65	80	100	470	180	225	14	110	125	95	320	250	342	32	80	35	10			
23	FA65/20G						200	250														
24	FA65/26						225	280														
25	FA65/32	45	80	100	470	526	280	280	18	160	120	400	315	18	367	42	110	45	12			
26	FA65/32H						200	250														
27	FA65/32G						225	280														
28	FA80/16	25	100	125	360	470	180	225	65	125	95	320	250	14	267	24	50	27	8			
29	FA80/20						250	250														
30	FA80/26						200	280														
31	FA80/32	35	80	100	470	526	250	315	80	110	160	120	440	340	18	342	32	80	35	10		
32	FA80/32H						280	315														
33	FA80/32G						315	355														
34	FA80/40	45	100	125	530	670	250	355	85	160	120	440	340	18	370	42	110	45	12			
35	FA100/16						200	250														
36	FA100/20						250	280														
37	FA100/26	35	100	125	470	526	280	280	80	160	120	400	315	18	342	32	80	35	10			
38	FA100/32						225	280														
39	FA100/40						250	315														
40	FA125/20	45	125	150	470	530	250	315	80	160	120	400	315	18	342	32	80	35	10			
41	FA125/26						280	355														
42	FA125/32						315	400														
43	FA125/40	55	150	200	530	670	315	400	18	200	150	500	400	23	370	42	110	45	12			
44	FA125/50						355	450														
45	FA150/20						450	500														
46	FA150/26	35	200	250	160	500	280	400	100	200	150	400	315	23	342	32	80	35	10			
47	FA150/32						250	355														
48	FA150/40						315	450														
49	FA150/50	45	150	200	530	670	280	400	18	200	150	550	450	23	370	42	110	45	12			
50	FA200/26						315	450														
51	FA200/32						375	500														
52	FA200/40	55	200	250	180	555	315	450	22	220	170	600	480	28	392	42	110	45	12			
53	FA200/50						480	120														
54	FA250/32						335	480														
55	FA250/40	55	250	300	220	691	355	520	150	26	110	250	200	660	510	28	525	48	110	51	14	
56	FA250/50						682	400														
57	FA300/40						450	670														
		720	425	300	300	720	425	670	120	30	140	240	190	750	650	23	515	60	140	64	18	



Monoblock End Suction Centrifugal Pump
FZ SERIES



Vertical In-Line Centrifugal Pump
TD SERIES



Mechanical Seal



Double-suction Split Casing Pump
FAS SERIES